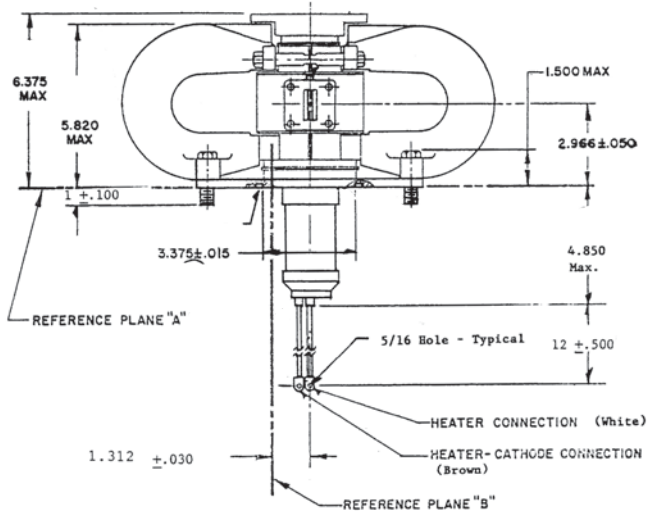
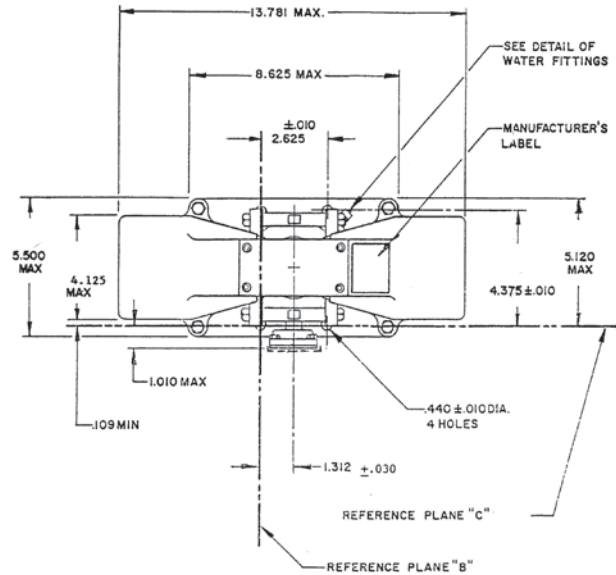


Communications & Power Industries Coaxial Magnetron



With a history of producing high quality products, we can help you with your magnetron.

Contact us at BMDMarketing@cpii.com or call us at +1 978-922-6000.

FEATURES:

- Frequency 9.275 – 9.325 GHz
- Peak power output 1 MW
- Duty cycle .001
- Anode voltage 30 kV
- Anode current 60 amps
- Pulse width 3.5 microseconds
- Heater 10 volts @ 13 amps
- Liquid cooled
- Fixed frequency

BENEFITS:

- Long life
- High power

APPLICATIONS:

- Weather radars



Beverly Microwave Division
150 Sohier Road
Beverly, Massachusetts
USA 01915

tel +1 978-922-6000
email BMDMarketing@cpii.com
fax +1 978-922-8914
web www.cpii.com

For more detailed information, please refer to the corresponding CPI technical description if one has been published, or contact CPI. Specifications may change without notice as a result of additional data or product refinement. Please contact CPI before using this information for system design.

©2020 Communications & Power Industries LLC. Company proprietary; use and reproduction is strictly prohibited without written authorization from CPI.